

RDSI

Research and Development
Solutions, Inc
www.rdsi.com

"Fleet Focused...Value Driven"

Who We Are

- ▶ Established in January 1989
- ▶ Veteran-Owned Small Business (VOSB)
- ▶ Corporate Headquarters in McLean, VA
- ▶ Branch Offices
 - Middletown, RI
 - North Stonington, CT
 - Bellingham, WA
 - San Diego, CA

"Fleet Focused...Value Driven"

RDSI

Expertise and Goals

- ▶ Fleet recognized products and technical expertise
- ▶ Experienced and technically qualified personnel
- ▶ State-of-the-art tools
- ▶ Process driven solutions
- ▶ Cost effective services and products
- ▶ Technically sound engineering practices
- ▶ Strategic handling of new technology tailored to meet our customers' needs
- ▶ Sound business practices and professional ethics

Become *your Company of Choice*

"Fleet Focused...Value Driven"

RDSI

Our Client Base

- ▶ U.S. Navy Commands and Activities
 - Naval Sea Systems Command (NAVSEASYS COM)
 - Space and Warfare Systems Command (SPAWAR SYSCOM)
 - SPAWAR Systems Center Pacific (SSC PAC)
 - Naval Undersea Warfare Center, Division Newport
 - Surface Warfare Officers School (SWOS), Newport
 - Submarine Learning Center (SLC)
 - Naval Submarine School (NAVSUBSCOL)
 - Office of Naval Intelligence (ONI)
 - Naval Surface Warfare Centers (NSWCs)
 - Dahlgren, Dam Neck, Port Hueneme, Carderock, and Philadelphia

"Fleet Focused...Value Driven"

RDSI

Our Client Base

- ▶ Boeing/Argon
- ▶ Lockheed Martin Corporation
- ▶ Electronic Warfare Associates
- ▶ Coastal Systems Design
- ▶ Science Applications International Corporation
- ▶ General Dynamics Electric Boat
- ▶ General Services Administration
- ▶ National Ocean and Atmospheric Administration
- ▶ Foreign Governments
 - Foreign Military Sales (FMS) and NATO support

"Fleet Focused...Value Driven"

RDSI

RDSI Contractual Vehicles

▶ Prime Contracts

- N00178-04-D-4113 (SEAPORTE Prime)
 - RDSI is approved in all 7 geographic zones as a prime and a subcontractor
 - Approved in all 21 Functional Areas
- GSA Professional Services GS-23F-0265M



▶ Subcontractor to:

- SeaCorp
- Sonalysts
- Leidos
- Purvis
- Indus



"Fleet Focused...Value Driven"

RDSI

Core Competencies

- ▶ Systems Engineering
- ▶ Shipboard Design and Installation
- ▶ Integration
- ▶ Antenna Design and Submarine Communications
- ▶ Program and Financial Management
- ▶ Research and Development
- ▶ Small Business Innovative Research (SBIR)
- ▶ Information Technology (IT)/Information Assurance (IA)
- ▶ Integrated Logistics Support (ILS)
- ▶ Configuration Management (CM)
- ▶ Blended Training Solutions

"Fleet Focused...Value Driven"

RDSI

Sustainment and Life Cycle Support

- ▶ Integrated Logistics Support (ILS)
 - Support all logistic elements and disciplines
 - Employ supportability engineering and sustainment processes
 - Develop Product Support Management (PSM) strategies
 - Identify and support AEA, TDA and ISEA ILS requirements
 - Independent Logistic Audit (ILA) documentation and support
 - Member of Integrated Product Teams (IPTs)
 - Antennas, Legacy Periscopes, Imaging Sensors, Electronic Support (ES), Electronic Warfare (EW)

"Fleet Focused...Value Driven"

RDSI

Maintenance Management

- ▶ Failure Reporting and Corrective Action System (FRACAS)
- ▶ Planned Maintenance System (PMS) Review and Development
- ▶ Reliability Centered Maintenance (RCM) Development and Analysis
- ▶ Reliability Based Sparing (RBS)
 - Modeling/Analysis/Sparing

"Fleet Focused...Value Driven"

RDSI

Supply Support

- ▶ Provisioning Technical Data (PTD)
- ▶ Range/depth of items to be stocked
- ▶ Source, Maintenance and Recoverability (SM&R) Codes
- ▶ Level of Repair Analysis (LORA)
- ▶ Allowance Parts Lists (APLs), Allowance Equipage Lists (AELs)
- ▶ Interim Supply Support Strategies
- ▶ Diminishing Manufacturing Sources and Material Shortages (DMSMS)
- ▶ Operating Material and Supplies (OM&S) inventory
- ▶ Sponsor Owned Material (SOM)
- ▶ Defense Logistics Agency (DLA) Support

"Fleet Focused...Value Driven"

RDSI

Data/Material Management

- ▶ Database Development and Management
- ▶ Ships Systems Manuals (SSM) Updates
- ▶ Engineering Change Instructions (ECIs)
- ▶ System Note Development
- ▶ Interactive Electronic Technical Manuals (IETM)
- ▶ Warehousing and Inventory Management
 - ERP Warehouse Operation Training
 - SUBSAFE/QAI
 - Metrology and Calibration Laboratory Support
 - Government Furnishing Equipment and Material (GFE/GFM) Storage and Accountability
 - DCMA Compliant Processes
 - Demilitarization (DEMIL) Support

"Fleet Focused...Value Driven"

RDSI

Training

▶ Training

- Prime developer of US Navy Submarine Electronic Warfare Support (ES) Training Emulators support Pipeline, Team Training and Pre-Deployment Training (PDT)

▶ Instructional System Design, Development, and Delivery

- Blended as well as stand-alone solutions (ICW, IMI, Simulation; Podium Lecture)

"Fleet Focused...Value Driven"

RDSI

Configuration Management (CM)

- ▶ Configuration Management Plans
- ▶ Software Configuration Life Cycle Plans
- ▶ Hardware and software baseline documentation
- ▶ Baseline development and maintenance
- ▶ Conduct hands-on audits
- ▶ UID Plans and implementation
- ▶ Databases
 - CPro
 - ILSMIS
 - ERP
 - CDMD-OA
 - Custom designs for Configuration Control Indexed IETMs

"Fleet Focused...Value Driven"

RDSI

Design and Drafting

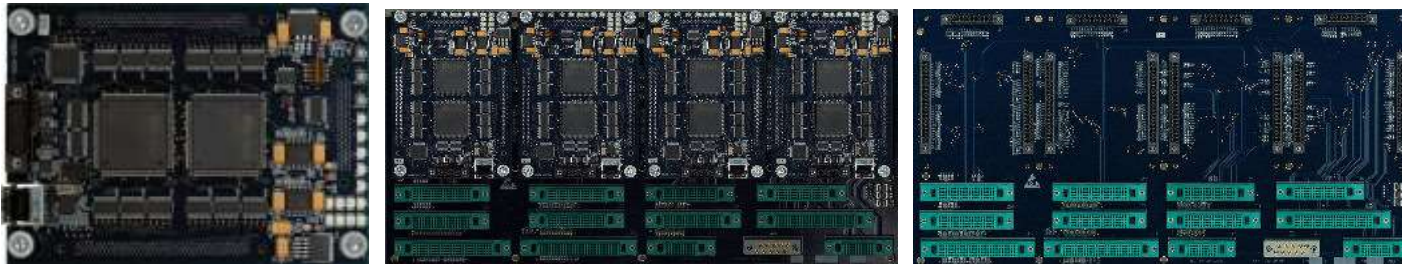
- ▶ Computer Aided Design and Drafting (CADD)
 - Technical Data Packages
 - TEMPALTs, SHIPALTs, OPALTs, ORDALTs, Field Changes
 - Temporary Engineering Changes (TECs)
 - Drawing reviews and Validation/Verification
 - Drawing conversions
 - Solid Works
 - AutoCAD/MathCAD
- ▶ Technical Data Packages (TDPs)
- ▶ Hull, Mechanical, and Electrical (HM&E) Sail System support
- ▶ Engineering Change Proposals
- ▶ Engineering Change Requests (ECRs)
- ▶ Engineering Changes (ECs)

"Fleet Focused...Value Driven"

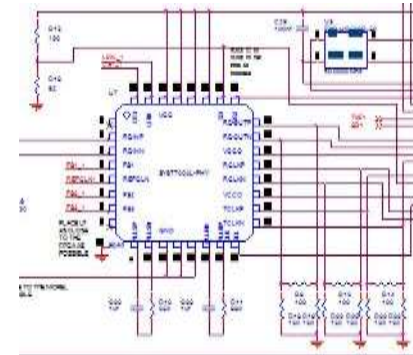
RDSI

Circuit Board Design

- ▶ Hardware
- ▶ Specialized Computer System Design and Manufacturing
 - Circuit Designs (Analog, Digital, Mixed Technologies, Micro-Controller Based)
 - Printed Wiring Board Design and Prototyping
 - Cadence Allegro Development Software
 - FPGA Designs (Actel, VHDL, etc.)



Multiplexer/De-Multiplexer System



"Fleet Focused...Value Driven"

RDSI

Fabrication/Assembly

- ▶ **Circuit Card Assemblies (CCA)**
 - Prototype and Limited Production in House
 - Full Production Capabilities
 - Surface Mount and Thru Hole Capabilities
- ▶ **CCA Software/Hardware Integration**
 - Software Design
 - Test Plans (Hardware/Software)
- ▶ **Test Fixtures**
 - Board Level Test Fixtures
 - System Level Test Stations
- ▶ **Unit Assemblies**
 - Cable Assemblies
 - Wiring Harnesses
 - Unit Assemblies



"Fleet Focused...Value Driven"

RDSI

Information Assurance (IA) and Certifications

**Microsoft
CERTIFIED**

Technology Specialist

Windows 7
Configuration



**Microsoft
CERTIFIED**

Technology Specialist

Windows Server 2008
Network Infrastructure
Configuration

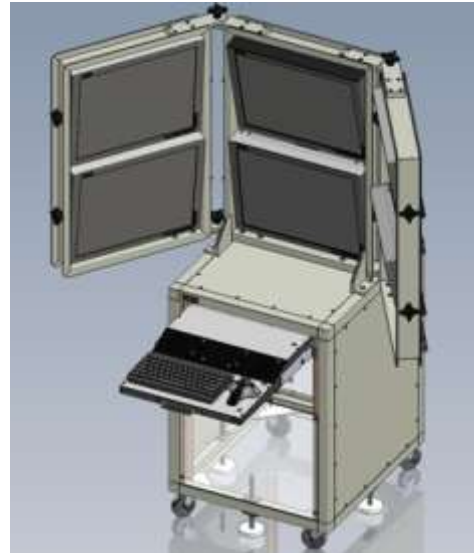


"Fleet Focused...Value Driven"

RDSI

Digital Design/3-D Modeling

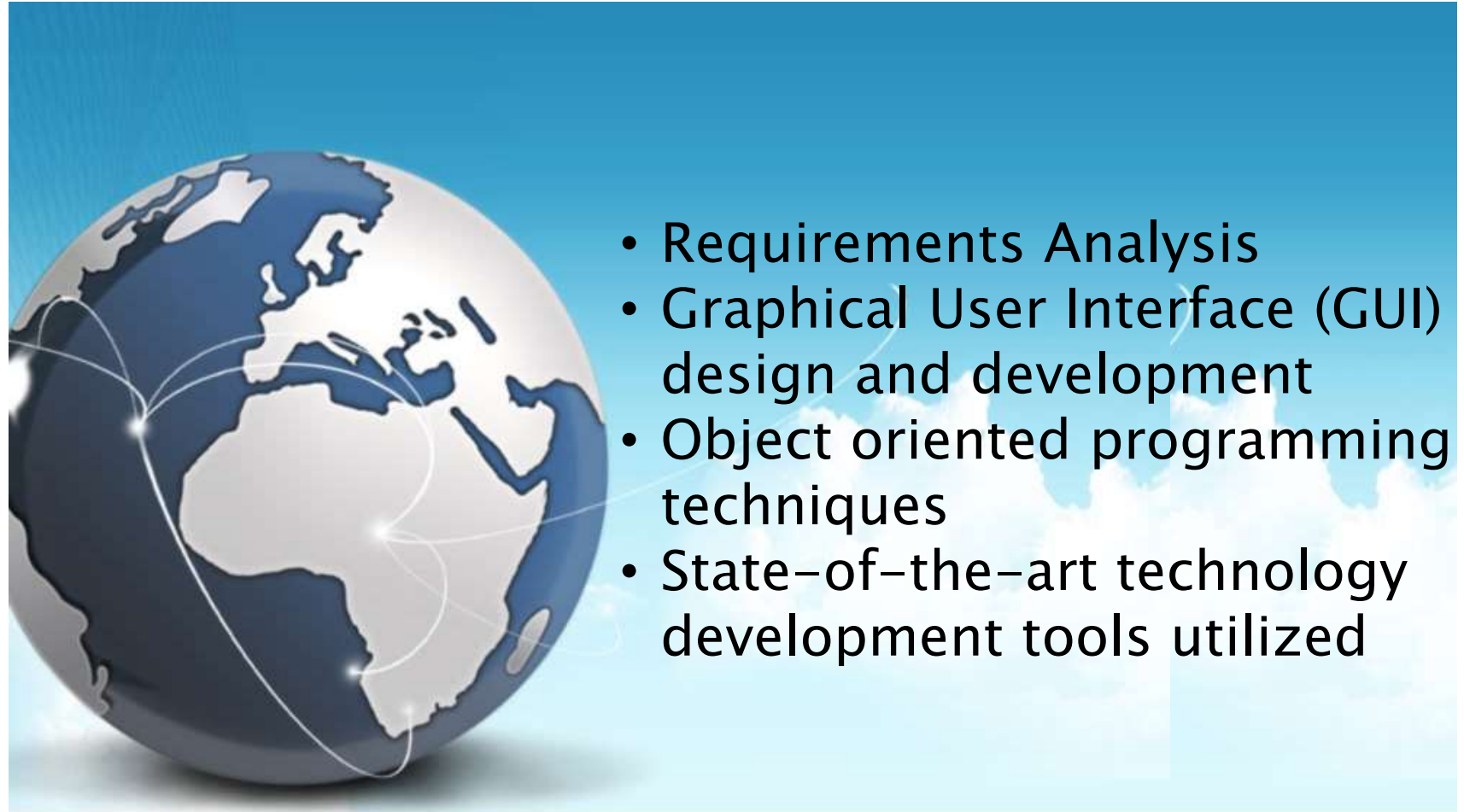
- ▶ Creative Digital Solutions
 - Virtual World design and development
 - Animation and gaming



"Fleet Focused...Value Driven"

RDSI

Software



- Requirements Analysis
- Graphical User Interface (GUI) design and development
- Object oriented programming techniques
- State-of-the-art technology development tools utilized

"Fleet Focused...Value Driven"

RDSI

Field Services

▶ Alteration Installation Team (AIT)

- NAVSEA Code 04RP ANSI/ISO 9001:2015 Approved

- Technical Data Package (TDP)
- Rip-out and Installation
- Cable manufacturing and refurbishment
- Shipboard rack manufacturing, refurbishment, installation, and hardware mounting(s)
- RMMCO Interface
- Inventory and Material Management Staging



"Fleet Focused...Value Driven"

RDSI

Field Service Support

▶ Installations:

- Alteration Installation Team Leaders
- Fabrication, laboratory and ship board testing, installation and removal of Tactical Temporary Alterations (TEMPALTs)
- Draft and conduct PICO and SOVT testing on Submarine ES Suites
- Conduct certification training
- Support test events (FOT&E, OT&E, OTRR)



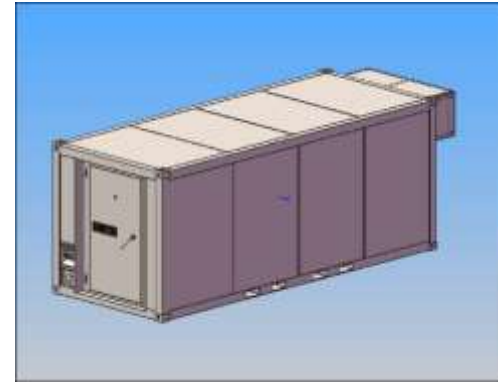
"Fleet Focused...Value Driven"

RDSI

Take Charge and Move Out (TACAMO)

▶ Design, Build and Deliver TACAMO Shelters and Antenna Pallets

- Manufacture Shelters and Palletized Antenna Assemblies
- Test and certify to HEMP requirements
- Meet TEMPEST and environmental requirements
- Provide Logistic support



"Fleet Focused...Value Driven"

RDSI

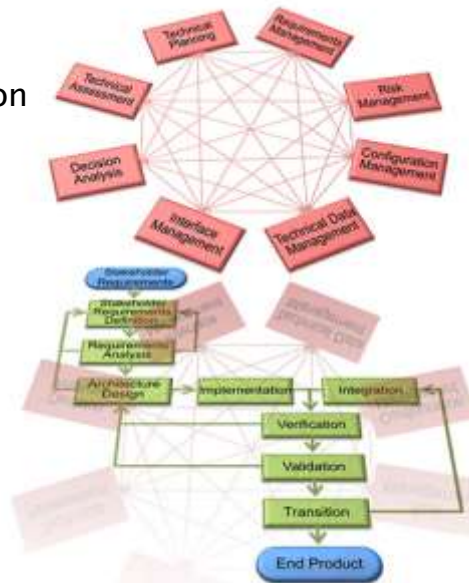
System Engineering and Management

▶ Program Documentation

- CDD, Specification Development
- AoA, BCA Development
- Milestone Program Review
- Logistic Assessments
- QA/QC Support
- Safety/Hazardous Material Analysis
- PESHE Development
- System Testing and Analysis
- Drawings and Interface Documentation
- UID Planning
- RMA Analysis

▶ Processes

- Requirements Analysis & Management Support
- Decision Analysis
- System Integration
- Risk Management Support
- Program Schedule and Planning
- Technical Planning and Assessment
- CM & Data Management
- Test and Evaluation



"Fleet Focused...Value Driven"

RDSI

Test and Evaluation

▶ Test and Evaluation:

- Conduct antenna characterization
- Perform Dockside and Operational tests
- Design signal simulations and shore side signal testing platforms
- Outfit and operate various unique self contained mobile test platforms (shipboard and land based)
- AUTEK, Fishers Island and other test sites
- Radar vulnerability studies using commercially developed and specialized function radars
- Pre and Post Overhaul Testing
- Systems Acceptance Testing
- First Article/Factory Acceptance Testing Support
- DT/OT
- TEMP Development



"Fleet Focused...Value Driven"

RDSI

RDSI Multi-Purpose Reconfigurable Training System for EW Support (MRTS-ES)



MRTS-ES with emulations of
ES suites for AN/BLQ-10(V)
and AN/WLR-8(V) equipped
Submarines



"Fleet Focused...Value Driven"

RDSI

RDSI Products

▶ Electronic Warfare Training Simulators and Stimulators

- Surface Ship EW Trainer (SSEWT)
- EWTS-32SRS (ALQ-99) (EA-6B Weapons System)
- Battle Force Electronic Warfare Trainer (BEWT) AN/USQ-T47(V)
- EWTS-8i
- EWTS-()R



Electronic Warfare
Equipment Emulators



EWTS-()R



"Fleet Focused...Value Driven"

RDSI

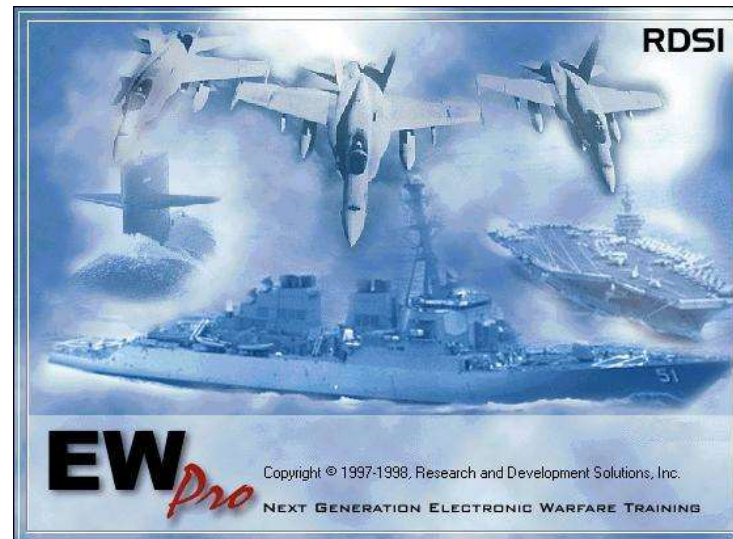
RDSI Products

▶ Hardware

- M/Pulse™ Card (Electromagnetic Emission Generator CCA)
- PCDXsi (Data Extract CCA)

▶ Software

- EWPro™
- SIGREC™



"Fleet Focused...Value Driven"

RDSI

Our Value Proposition

RDSI....

*Developing Affordable
Solutions for the Future*

www.rdsi.com

"Fleet Focused...Value Driven"

RDSI

Contacts

William Shaw

President

401-847-7374

w.shaw.rhode@rdsi.com

JR Miller

Vice President

703-893-9533

jr.miller.mclean@rdsi.com

Robert Siegel

Vice President of Operations

401-847-7374

r.siegel.rhode@rdsi.com

Dave Saleem

Chief Engineer

401-847-7374

d.saleem.rhode@rdsi.com

"Fleet Focused...Value Driven"

RDSI
